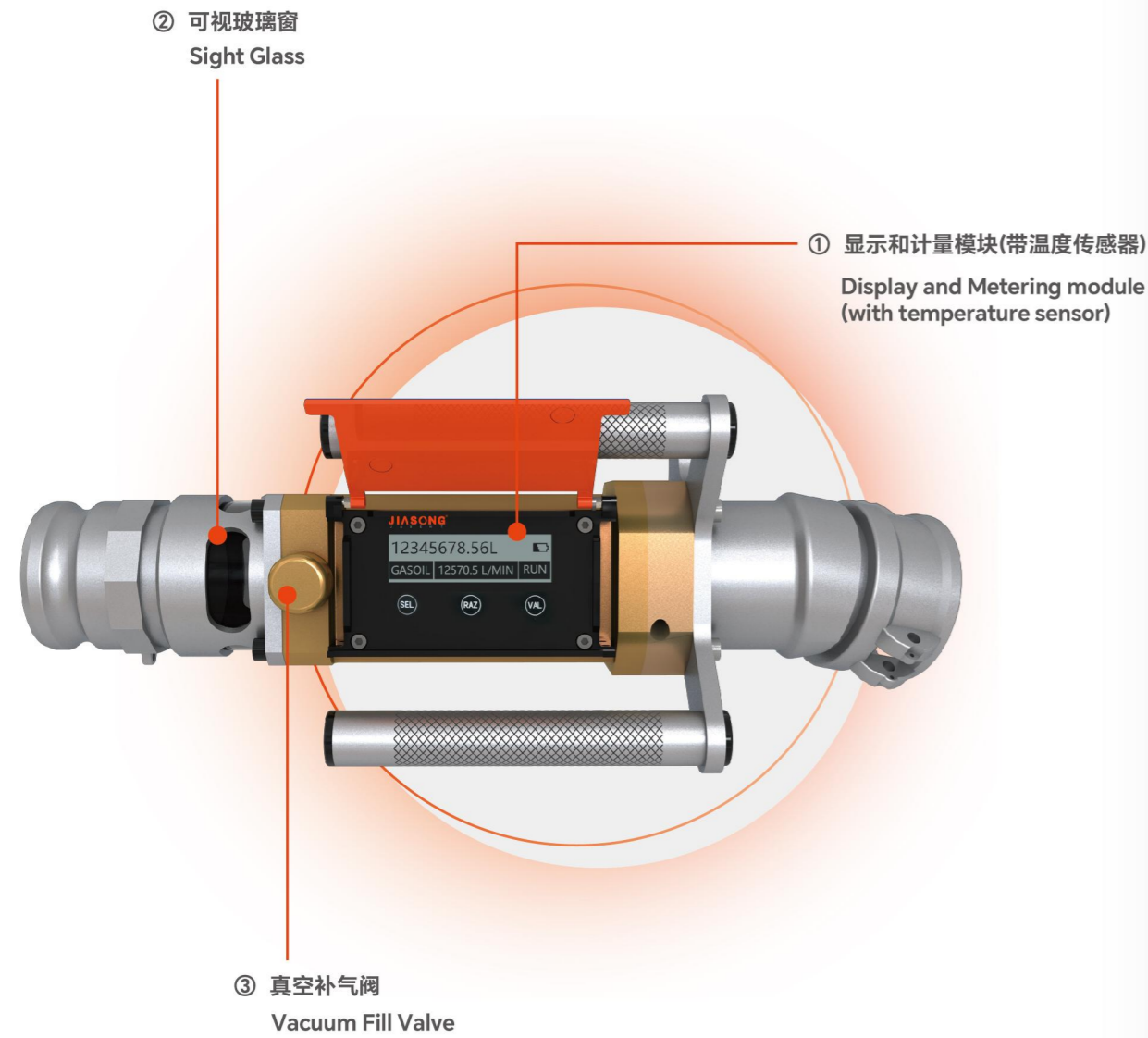


组成 Components



- ④ 蓝牙
Bluetooth
- ⑤ 充电器
Mains Charger
- ⑥ 一套3寸转2.5寸的变径接头
A set of connectors 3" into 2.5"
- ⑦ 包装箱
Transport Case

UNLOADING FLOWMETER

技术参数 Technical Specification

型号 Model	FA-1
管径尺寸 Pipe Diameter	3寸, 3" (DN80)
精度等级 Accuracy	±0.1%
重复性精度 Repeatability Accuracy	±0.02%
产品重量 Weight	6KG
外壳材质 Material	铝 Aluminum
LCD屏幕 LCD Screen	中文界面, 7位数字显示 English/Spanish, 7 Digit Display
适用介质 Applicable Medium	汽油、柴油、煤油、乙醇汽油等各种油品 Gasoline, Diesel, Kerosene, Ethanol Gasoline, and other Oil products
流速范围 Flow Rate	8-80m³/h (130-1300L/min) (34-340gal)
显示最小刻度 Min. Scale	1L (0.264gal)
防爆等级 Ex Grade	Ex ia II BT4 Ga
防护等级 Protection Grade	IP67
温度范围 Temp.	-25°C+55°C
最大压力 Max. Pressure	0.5MPa
油品粘度范围 Oil Viscosity Range	≤13mm²/s
电源 Power Supply	1 块可充电锂电池 A rechargeable lithium battery

地址: 浙江省温州市鹿城区轻工业园盛丰路35号
Add: No.35 Shengfeng Road, Lucheng District, Wenzhou, Zhejiang, China.
 电话: 0577-67353517 67356709
 TEL: 0086-577-57987688 67367070
 传真: 0577-67355517
 Tax: 0086-577-67355517
 邮编: 325019
 P.C: 325019
 邮箱: jiasongchina@gmail.com
 E-mail: jiasongchina@gmail.com
 www.jiasongchina.com



便携灵活又可靠

UNLOADING FLOWMETER

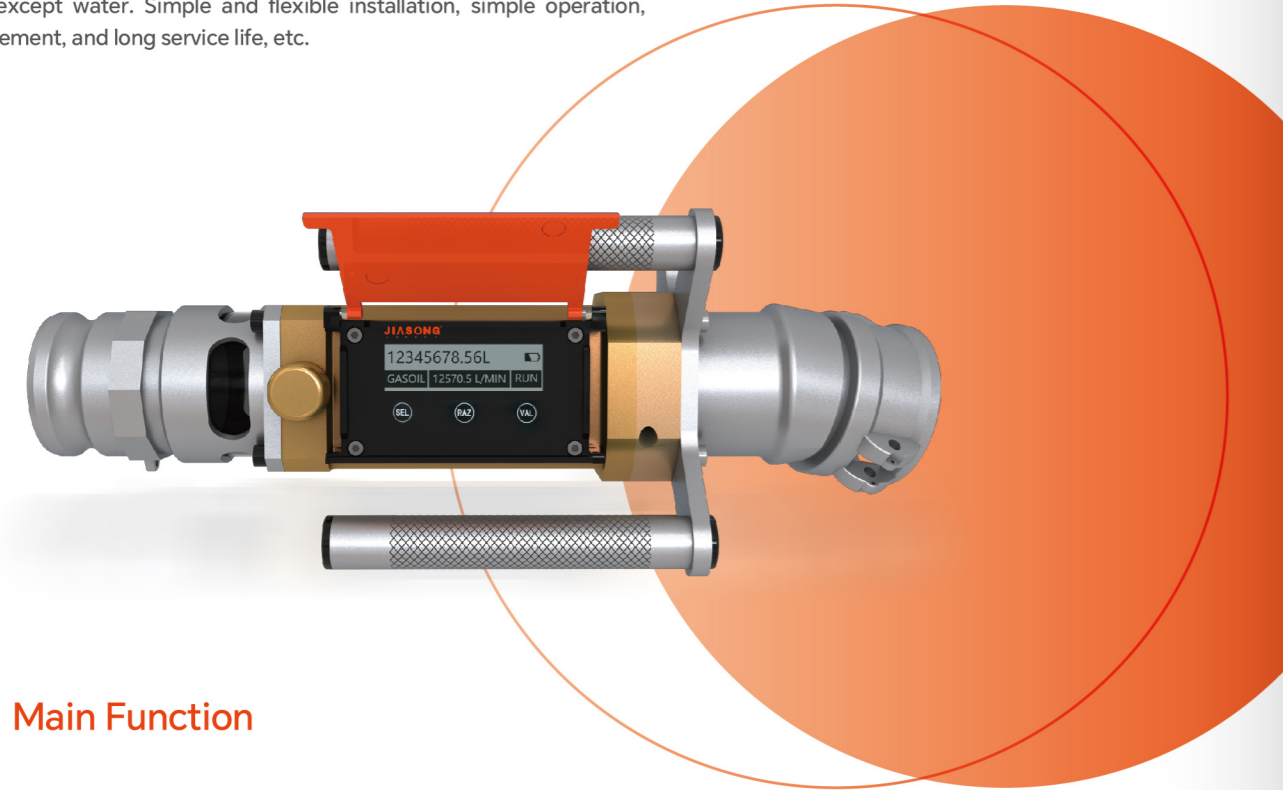
卸油便携流量计



卸油便携流量计

便携式涡轮流量计主要是用于加油站槽车重力自流卸油的计量，可用于除水以外的多种油品的计量。安装简便灵活，操作简单，计量精确，使用寿命长等特点。

Portable Turbine Meter is mainly used for the measurement of gravity self-flow unloading of tanker in gas station, and can be used for the measurement of a variety of oil products except water. Simple and flexible installation, simple operation, accurate measurement, and long service life, etc.



主要功能 Main Function

- 快速准确的测量油罐车到站卸油的体积和温度
- 可以准确验证加油站卧罐容积表的精度
- 做为标罐的卸油取数法、可以快速准确地校正罐表
- Measure the Volume and Temp.of the tanker unloading at the station quickly and accurately.
- Verify the accuracy of the horizontal tanker volume table of the station accurately.
- As the unloading number method of the standard tanker, it can correct the tank table quickly and accurately.

UNLOADING FLOWMETER

产品特点 Product Features

精度高，可靠性高 High Accuracy, High Reliability

- 计量精度: +1-0.1%
- 重复性精度: +/-0.02%
- 温度精度: +/-0.1°C
- 自动计算湿偿体积(V20)
- 自动测量油品温度
- Accuracy: +/-0.1%
- Repeatability Accuracy: +/-0.02%
- Temp. Accuracy: +/-0.1°C
- Auto Measurement of Temp. Compensation Volume (V20)
- Auto Measurement of Oil Temp.

计量数据安全可靠 Safe and Reliable Measurement Data

- 便携流量计实现全程卸油自动化，杜绝了人为因素干扰
- 计量数据可进行存储记录，保证数据的可靠性和安全性
- 可以记录1000条测量数据
- Realizes the whole unloading automation and eliminates the interference of human factors
- Data can be stored and recorded to ensure the reliability and security
- 1000 measurements can be recorded

设备安全可靠 Safe and Reliable Equipment

- 欧盟ATEX及中国国家防爆认证，完全可用于危险区域操作使用
- 专用防爆电池供电，无需外接电源，安全可靠
- ATEX and China National Ex, can be fully used in dangerous areas of operation
- Special Ex battery power supply, no external power supply, safe and reliable

简便易用 Easy to Use

- 设备重6kg，便于携带 卸油无残油
- 快速接头，安装简单
- 一台流量计可适用于多种油品
- 可接入卸油管道，不影响卸油
- Weight 6kg, Easy to Carry
- Quick Connection, Easy to install
- Connect to the oil unloading pipeline without affecting unloading
- No Residual oil from Unloading
- Used for a variety of Oil Products

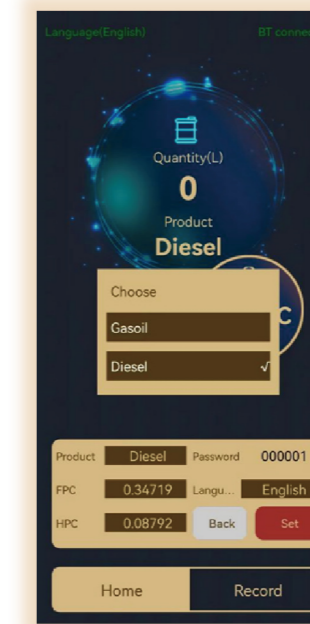
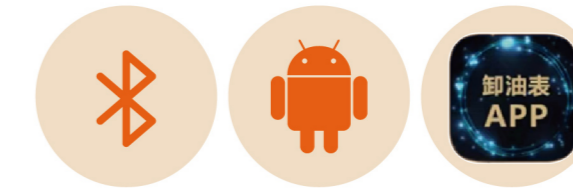


中国国家防爆认证 China National Ex 校准证书 Calibration Certificate ISO 9001 : 2015

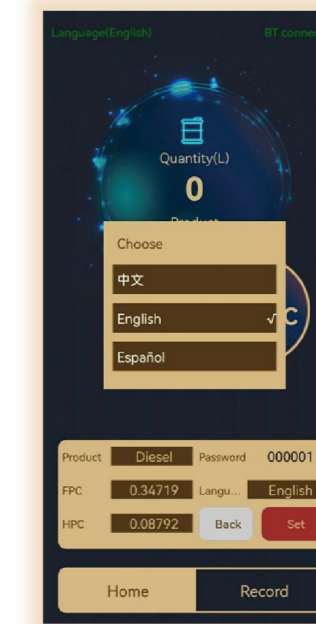
蓝牙 Bluetooth

支持安卓手机连接蓝牙，无线读取和传输数据进行系数修改、油品切换、语言切换、记录查询等操作

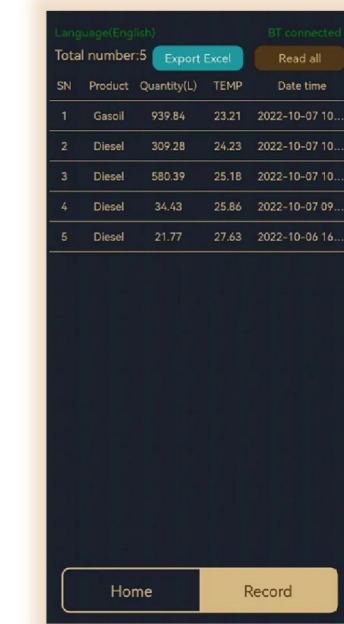
Support Android phones connect to Bluetooth wireless read and transmit data. Coefficient modification, language switching, product switching and record query.



油品切换 Product Switching



语言切换 Language Switching



记录查询 Record Query